

267

Heavy duty rollers

Set for containers with ISO corners up to 6 t total weight



Roller sets series 267 up to 6 t load.

With tow bar and multi-functional part.

Each roller unit can be universally set and operated as steerable or fixed roller. The multi-function part is used for storing the tools as well as a for easy installing and supporting the steering. The roller installation into the ISO-corners from underneath ensures high reliability.

The side openings of the ISO corner remain free for other use.

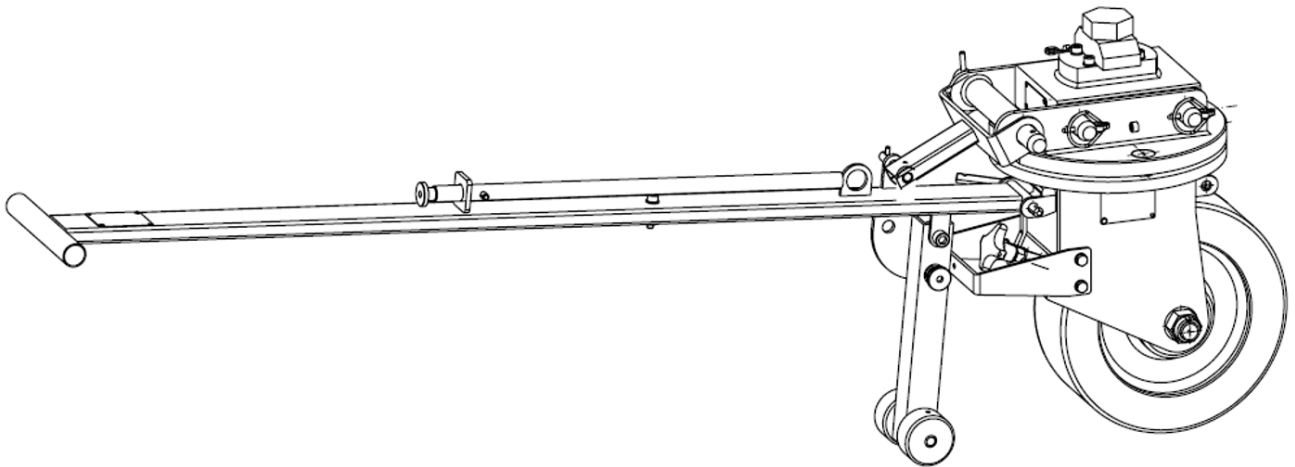
- Installation on the underside of the container via the ISO corner
- No own drive, travel only with a towing vehicle
- Installation on the container with the aid of the multi-functional bar.
- 4 roller units
- 1 drawbar
- 1 or 2 multifunctional bars

267

Heavy duty rollers

Set for containers with ISO corners up to 6 t total weight

Model	267 000 1
Maximum load capacity in the system	up to 6.000 kg
Maximum load capacity per roller unit	up to 3.000 kg
Roller units	4 single roller
Wheel diameter	300 mm
Overall height	462 mm
Weight per roller unit	ca. 40 kg
Allowed ground inclination	10,0° - standard
Operating temperature range	-10°C - +49°C - standard



267

Heavy duty rollers

Set for containers with ISO corners up to 10 t total weight



Roller sets series 267 up to 10 t load.

With tow bar and multi-functional part.

Each roller unit can be universally set and operated as steerable or fixed roller. The multi-function part is used for storing the tools as well as a for easy installing and supporting the steering. The roller installation into the ISO-corners from underneath ensures high reliability.

The side openings of the ISO corner remain free for other use.

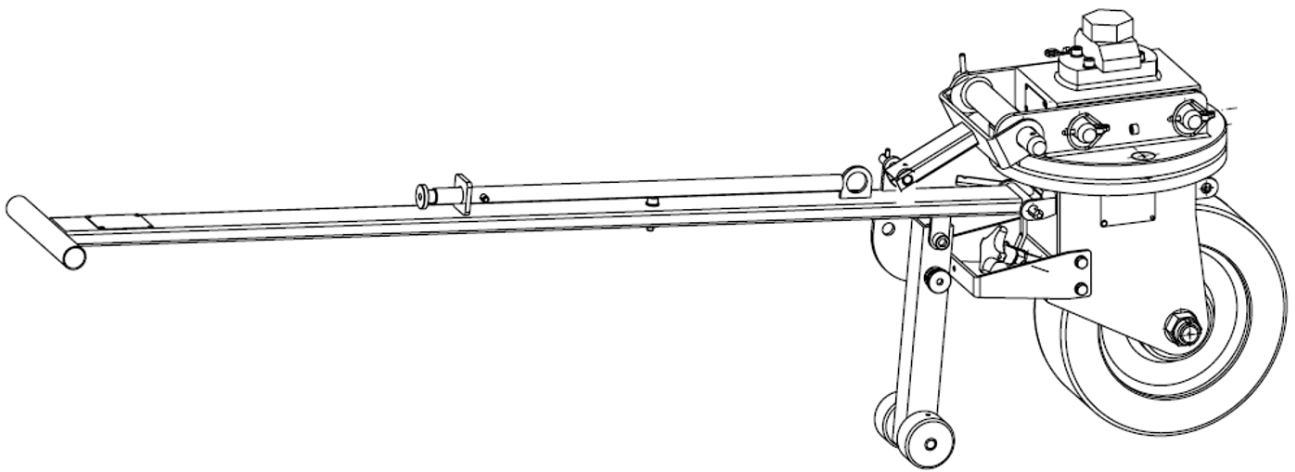
- Installation on the underside of the container via the ISO corner
- No own drive, travel only with a towing vehicle
- Installation on the container with the aid of the multi-functional bar.
- 4 roller units
- 1 drawbar
- 1 or 2 multifunctional bars

267

Heavy duty rollers

Set for containers with ISO corners up to 10 t total weight

Model	267/A 000 11
Maximum load capacity in the system	up to 10.000 kg
Maximum load capacity per roller unit	up to 5.000 kg
Roller units	4 single roller
Wheel diameter	300 mm
Overall height	458 mm
Weight per roller unit	ca. 40 kg
Allowed ground inclination	10,0° - standard
Operating temperature range	-10°C - +49°C - standard



267

Heavy duty rollers

Set for containers with ISO corners up to 16 t total weight



Roller sets series 267 up to 16 t load.

With tow bar and multi-functional part.

Each roller unit can be universally set and operated as steerable or fixed roller. The multi-function part is used for storing the tools as well as a for easy installing and supporting the steering.

The roller installation into the ISO-corners from underneath ensures high reliability.

The side openings of the ISO corner remain free for other use.

- Installation on the underside of the container via the ISO corner
- No own drive, travel only with a towing vehicle
- Installation on the container with the aid of the multi-functional bar.
- 4 double roller units
- 1 drawbar
- 1 or 2 multifunctional bars

267

Heavy duty rollers

Set for containers with ISO corners up to 16 t total weight

Model	267/C 000 0
Maximum load capacity in the system	up to 16.000 kg
Maximum load capacity per roller unit	up to 8.000 kg
Roller units	4 double roller
Wheel diameter	300 mm
Overall height	462 mm
Weight per roller unit	ca. 80 kg
Allowed ground inclination	10,0° - standard
Operating temperature range	-10°C - +49°C - standard

